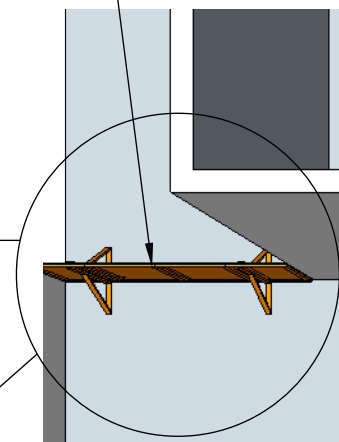


(OR TALLER)

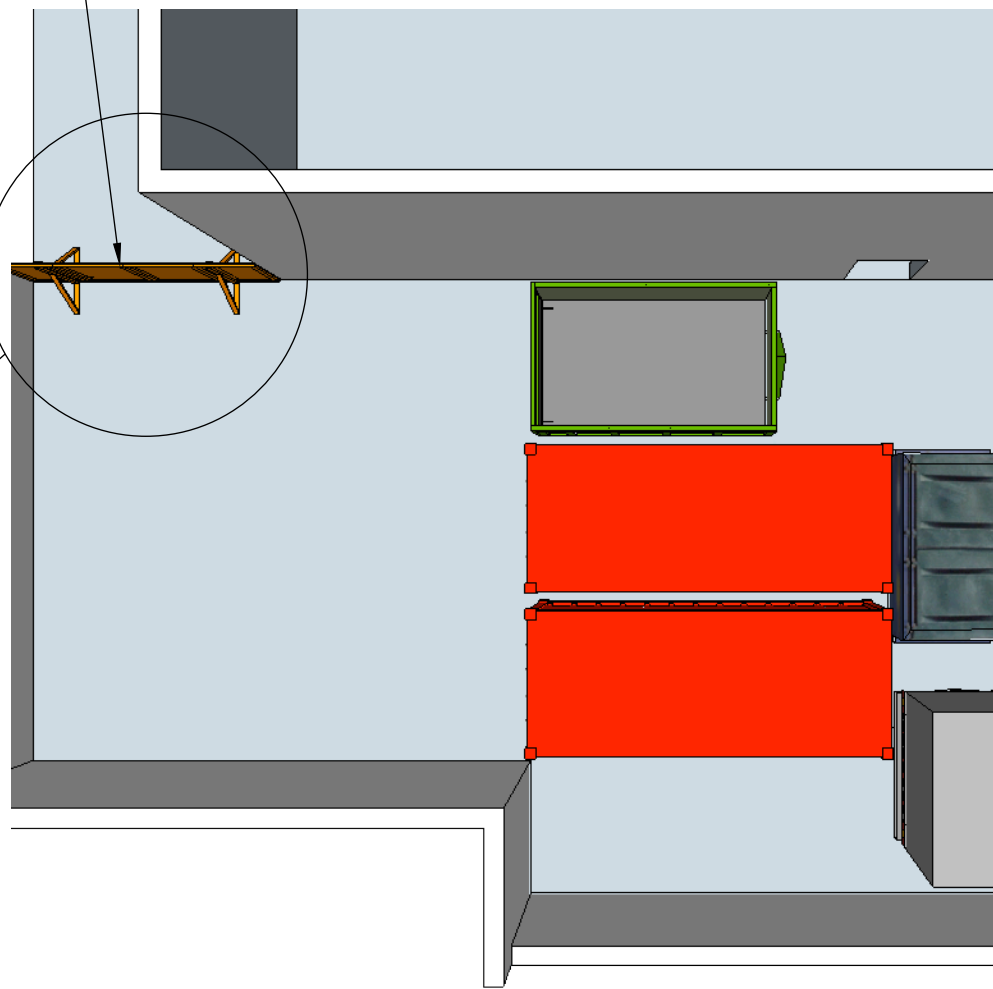
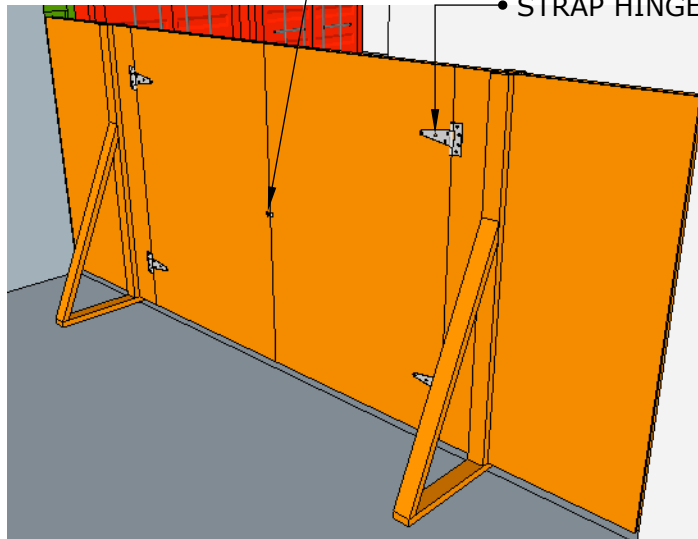
TEMPORARY GATE

ANCHOR BRACES TO GROUND



PADLOCK

STRAP HINGES



ROUGHLY 30' E--W x 29' N--S

