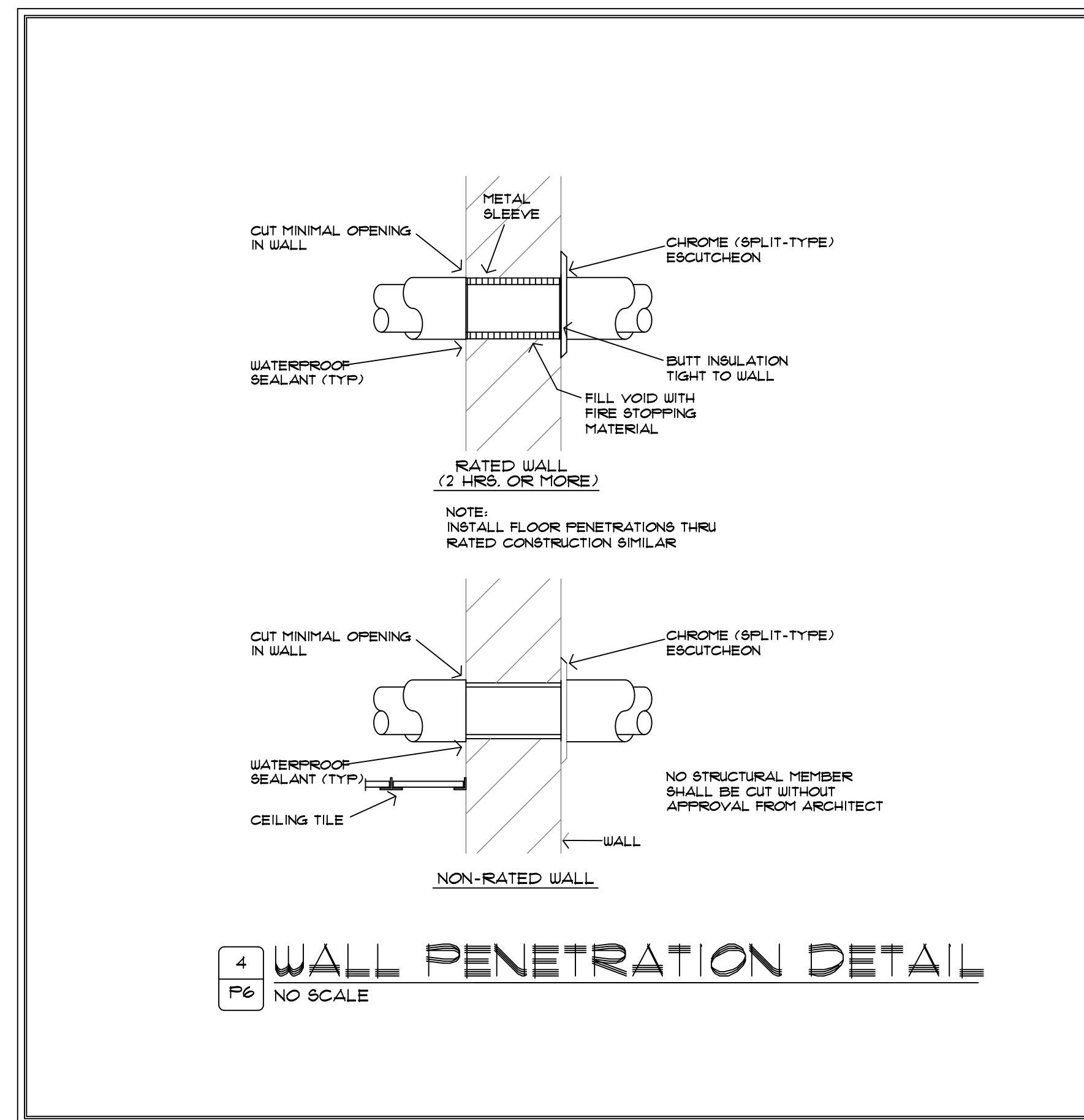
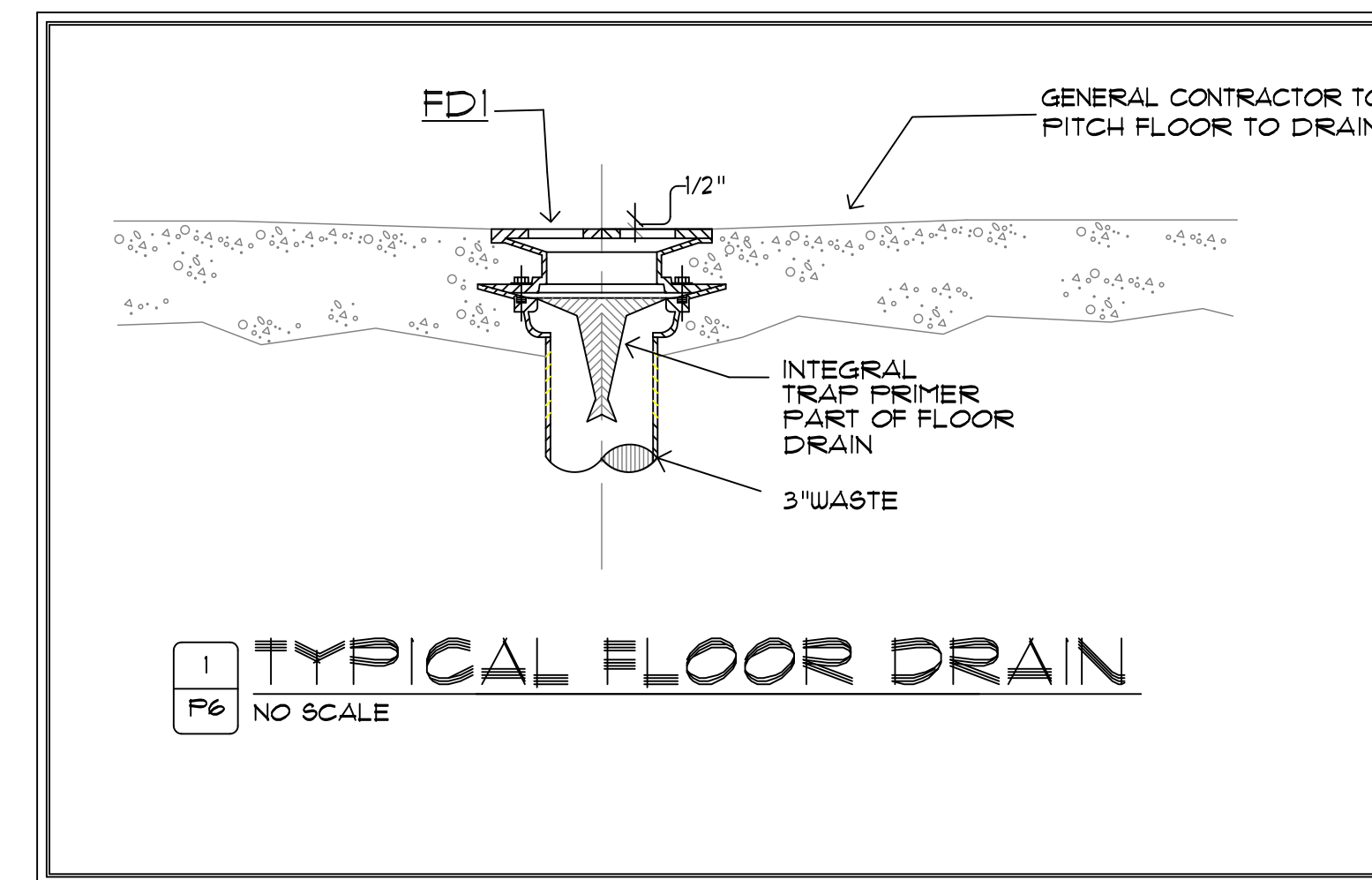


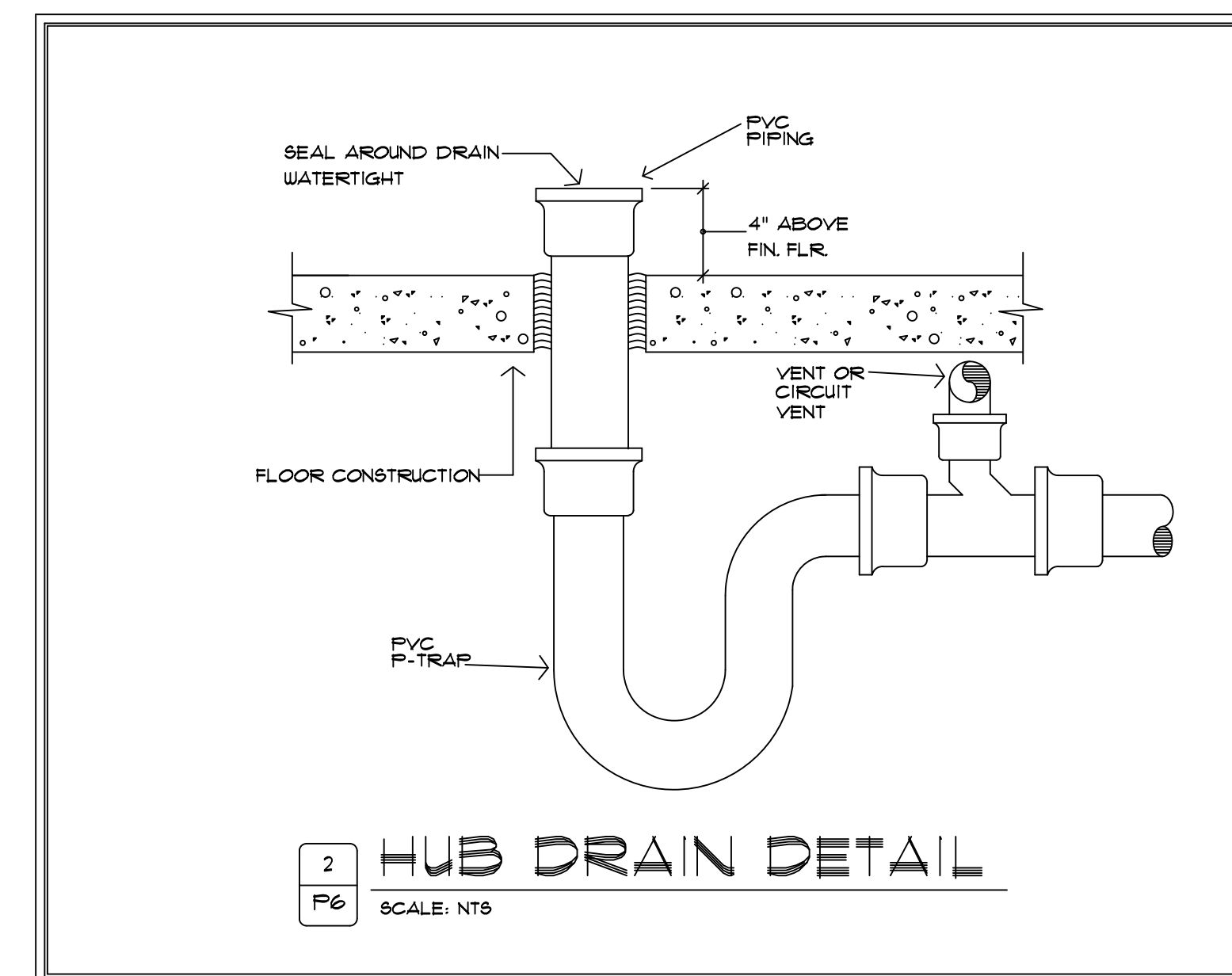
6 HUB DRAIN DETAIL
F6 NO SCALE



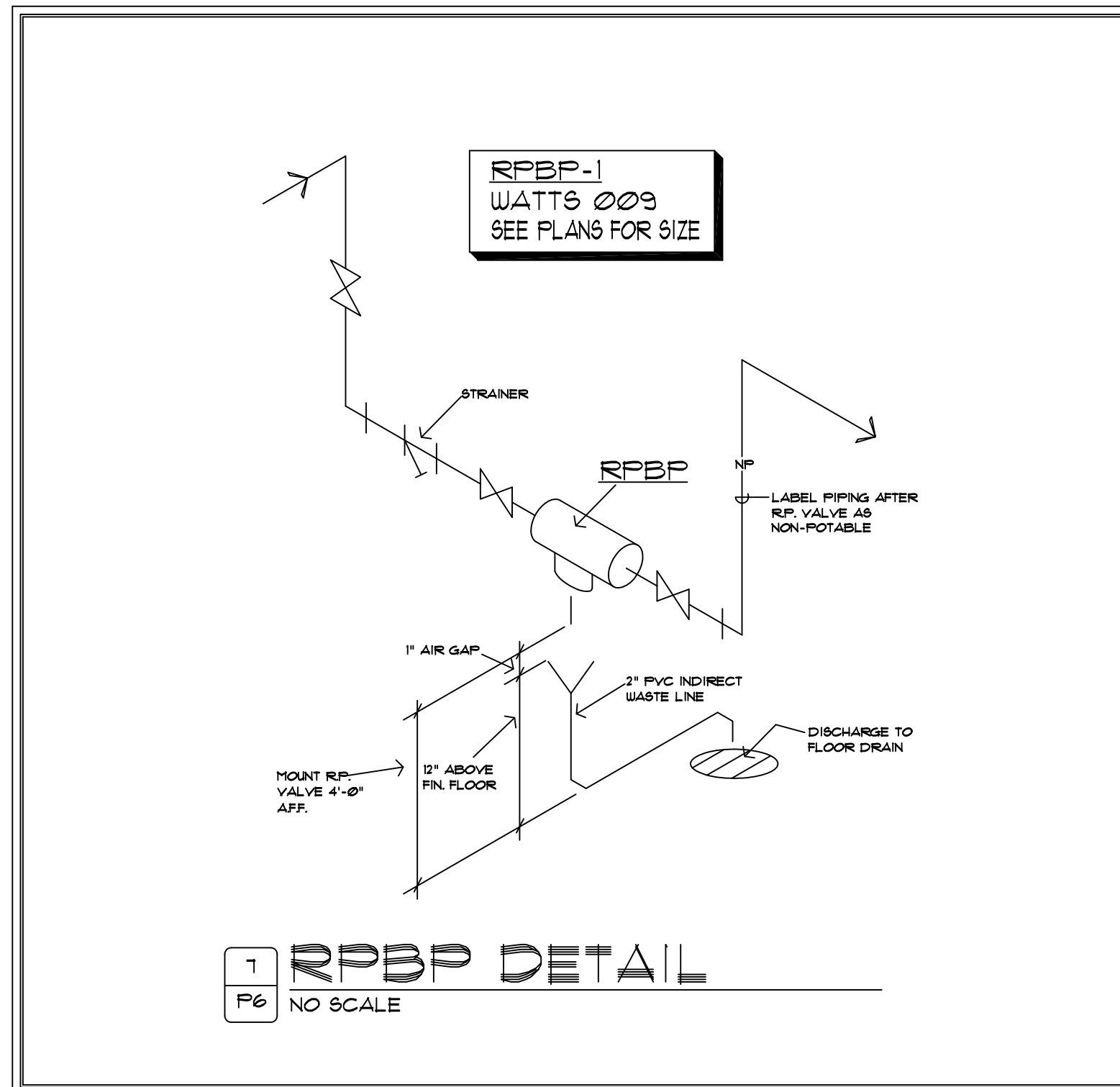
4 WALL PENETRATION DETAIL
F6 NO SCALE



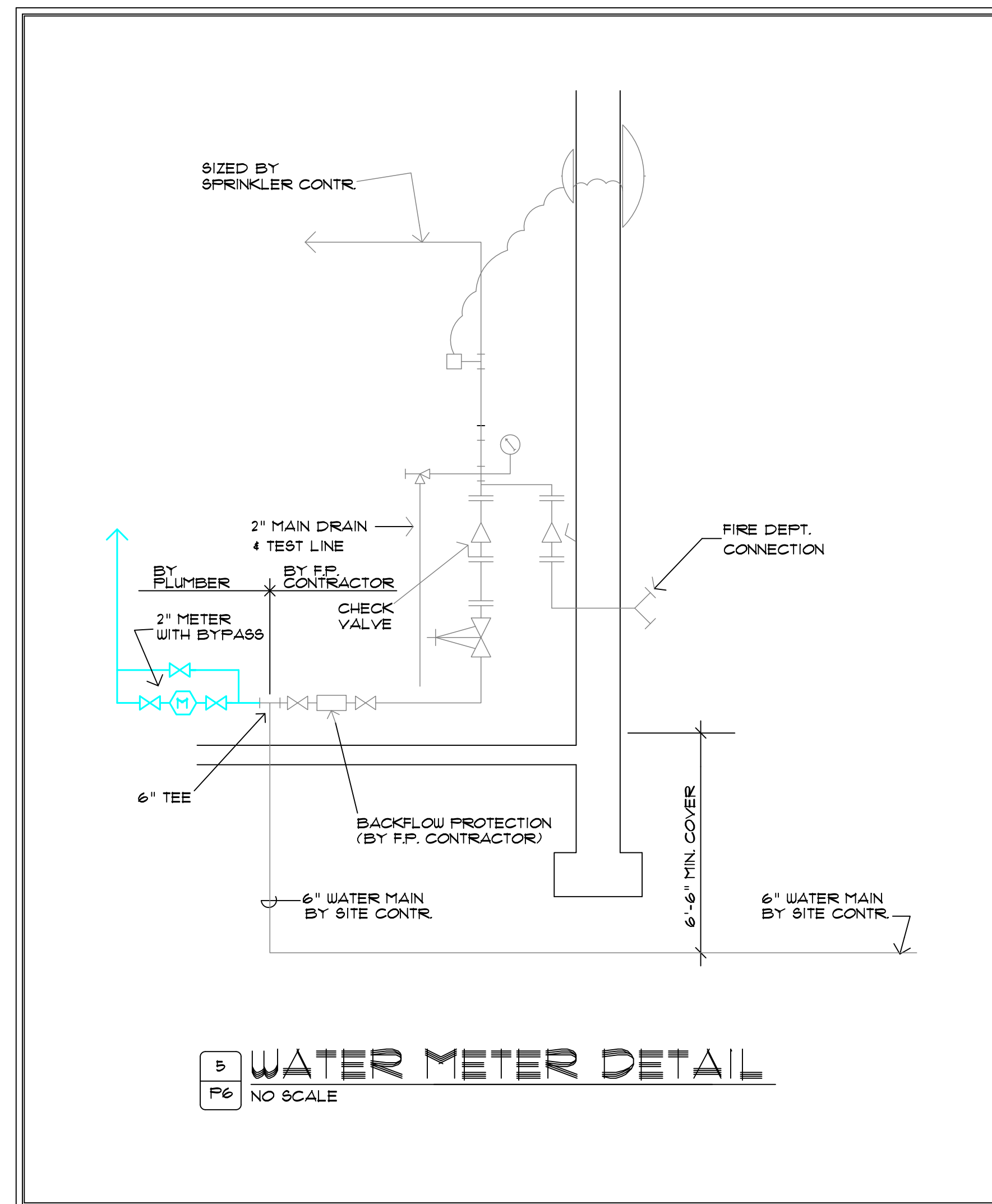
1 TYPICAL FLOOR DRAIN
F6 NO SCALE



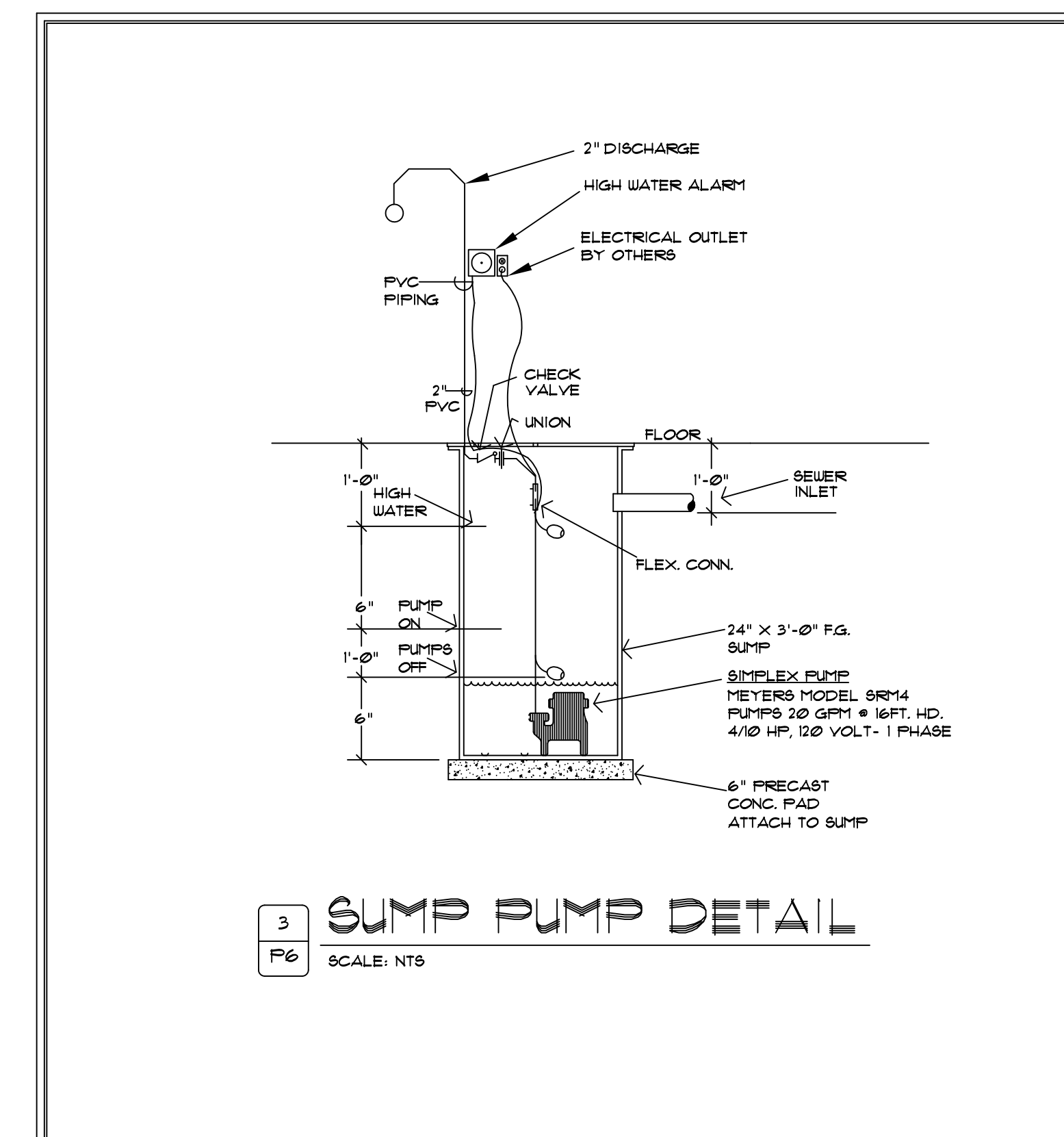
2 HUB DRAIN DETAIL
F6 SCALE: NTS



1 RPBP DETAIL
F6 NO SCALE



5 WATER METER DETAIL
F6 NO SCALE



3 SUMP PUMP DETAIL
F6 SCALE: NTS

RIVERSIDE
ENGINEERING & DESIGN, INC.
1740 RIVERSIDE DRIVE
SUAMICO, WI 54473
(920) 434-8031 FAX (920) 434-8032
riverside@rswbarr.com

SALM
PLUMBING, INC.
11836 RIVERFOREST DRIVE
KAUKAUNA, WI 54130
(920)716-1154

PROPOSED PROJECT FOR:
McFLESHMAN'S BREWING
SOUTH STATE STREET
APPLETON, WISCONSIN 54911

DIAG. BY
OLEY
DATE:
2-2-2011
PROJECT NO.
11-006

SALM
PLUMBING
11P
224509